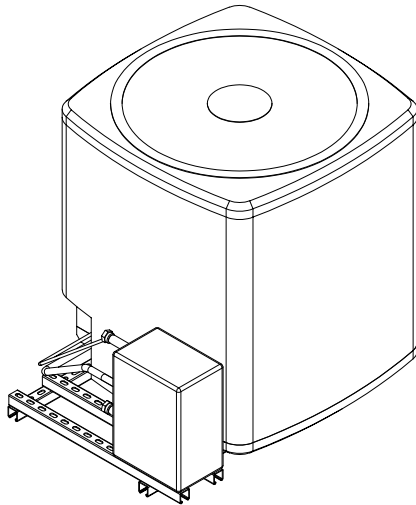


MODEL CXPA060CNS1

SPECIFICATIONS:

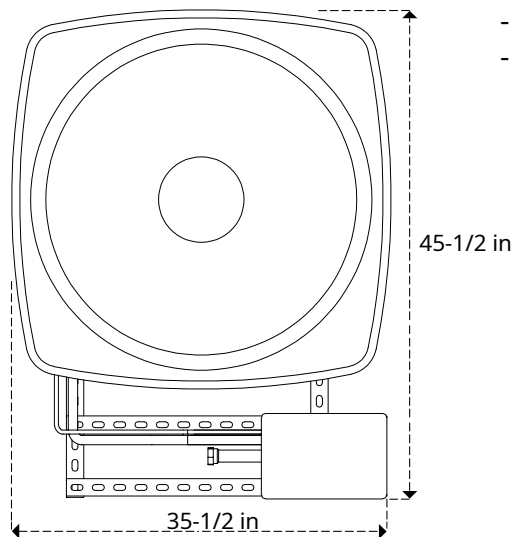
- 60,000 BTU/HR at 95°F ambient & 55°F water out
- 30,000 BTU/HR at 95°F ambient & 28°F water out (With LT)
- Electrical: 208/230V, 60hz single-phase
- Minimum Circuit Ampacity: 34.5, Max Fuse Size 48 Amps
- (1) Copeland scroll compressor
- Stainless Steel Evaporator [Sized For Glycol]
- R-32 Refrigerant [Fully Charged and Tested]
- 1" FNPT Water/Glycol Connections
- Flow switch safety cut-off
- Low ambient start of 0°F
- Approximate shipping weight 350 LBS
- Dimensions: 45-1/2" long, 35-1/2" wide, 41" tall
- ETL & UL Listed Components
- Decibels: 76



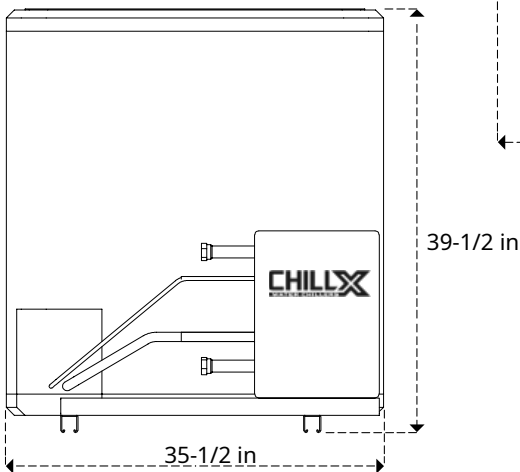
* OPTIONS:

- Controller Extension Cord (+15')
- Low Temp (LWT 25-28F)
- Caster Wheels
- Anti-corrosive Condensor Coating
- Hot Gas By-pass

TOP



FRONT



SIDE

